

# MIDSHIP CONTROL PARTS LIST

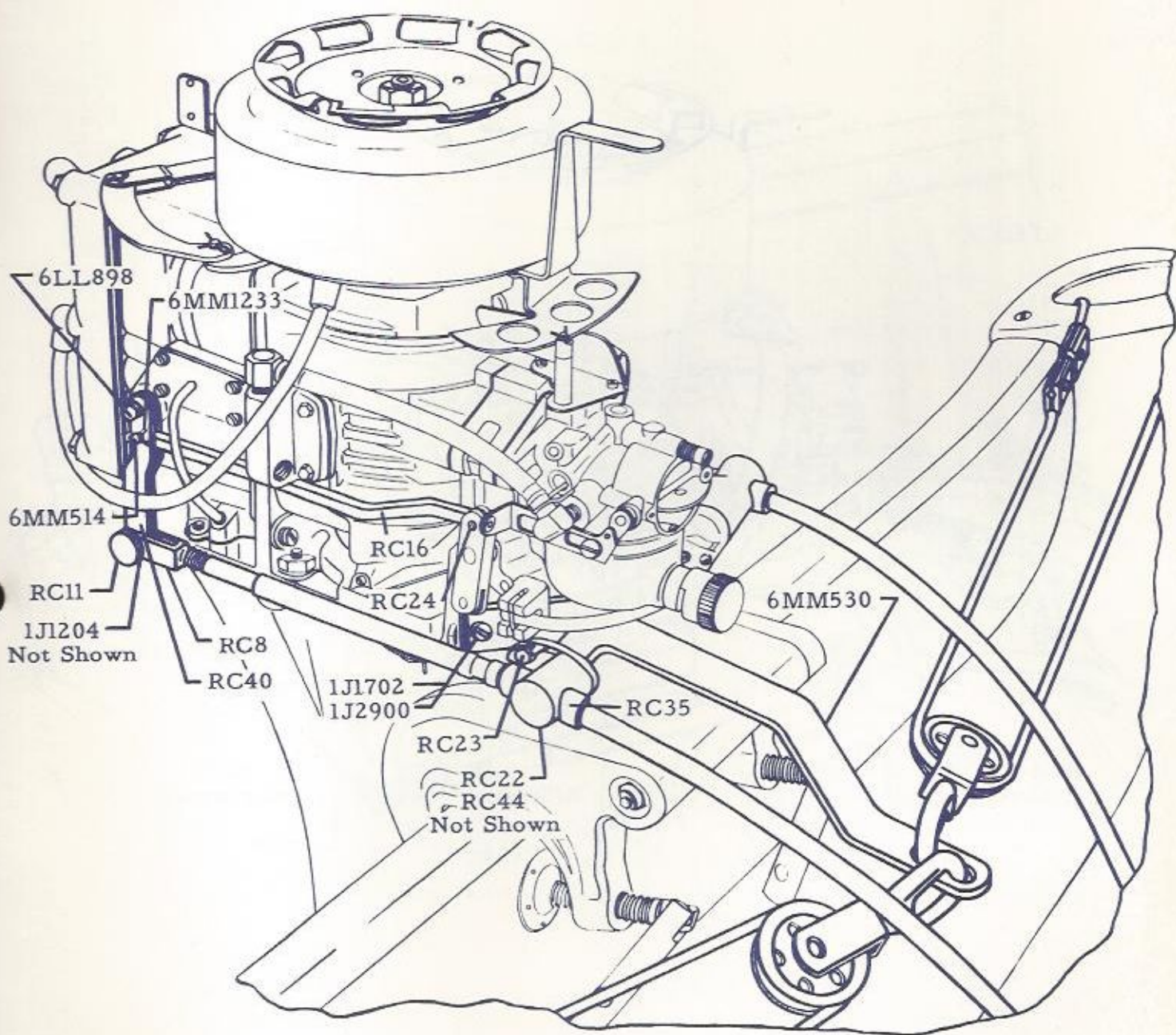


FIGURE 1



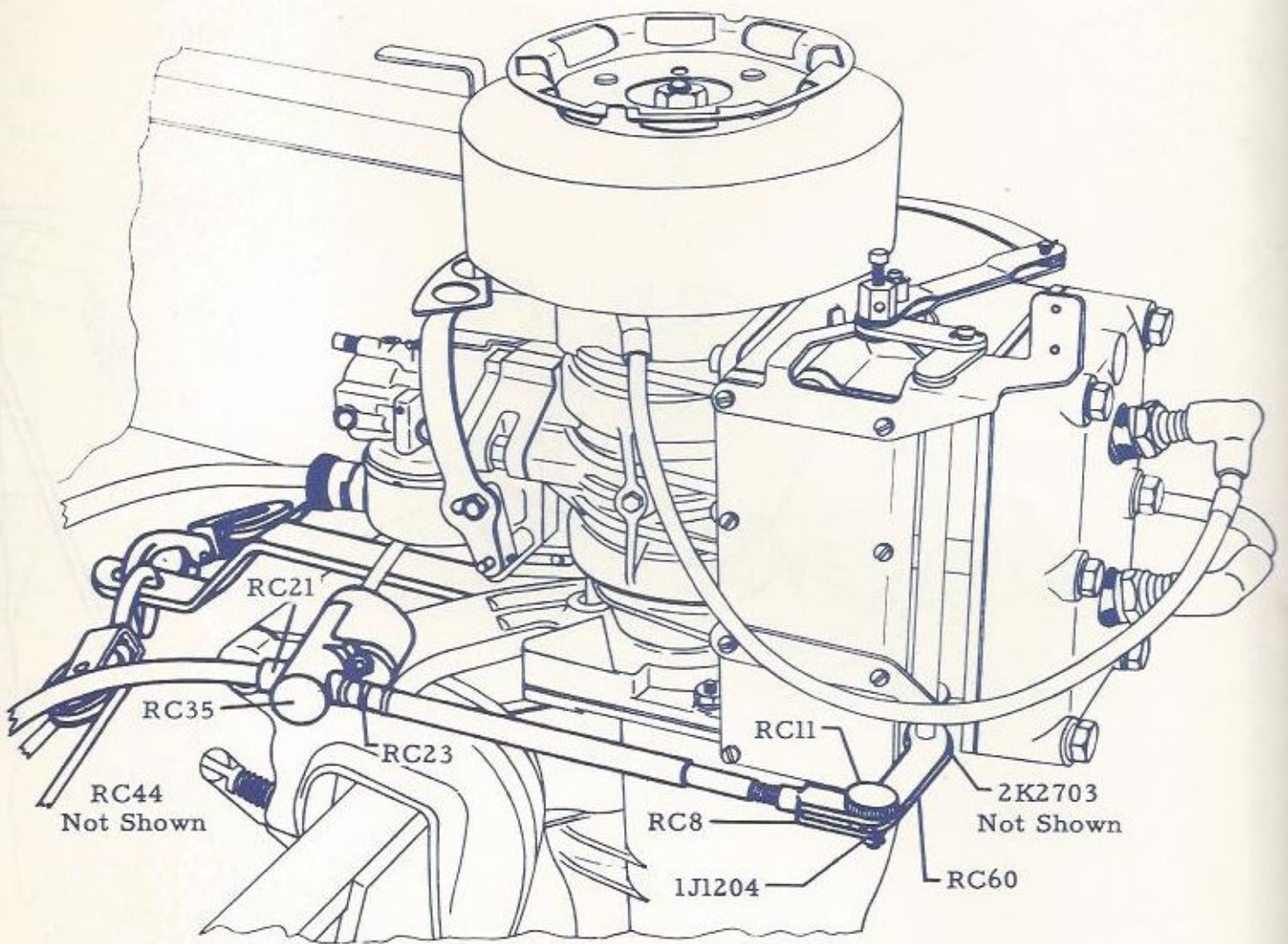
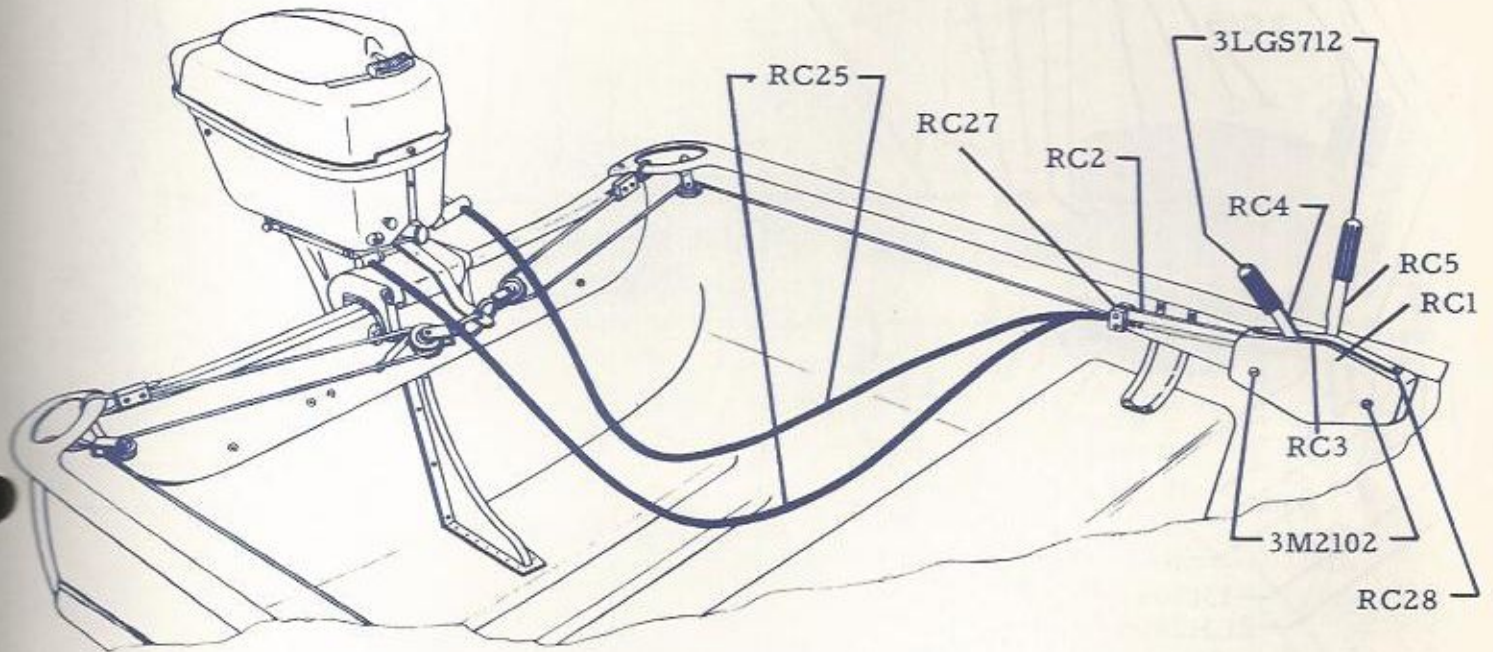


FIGURE 2

FIGURE 3



Not Shown

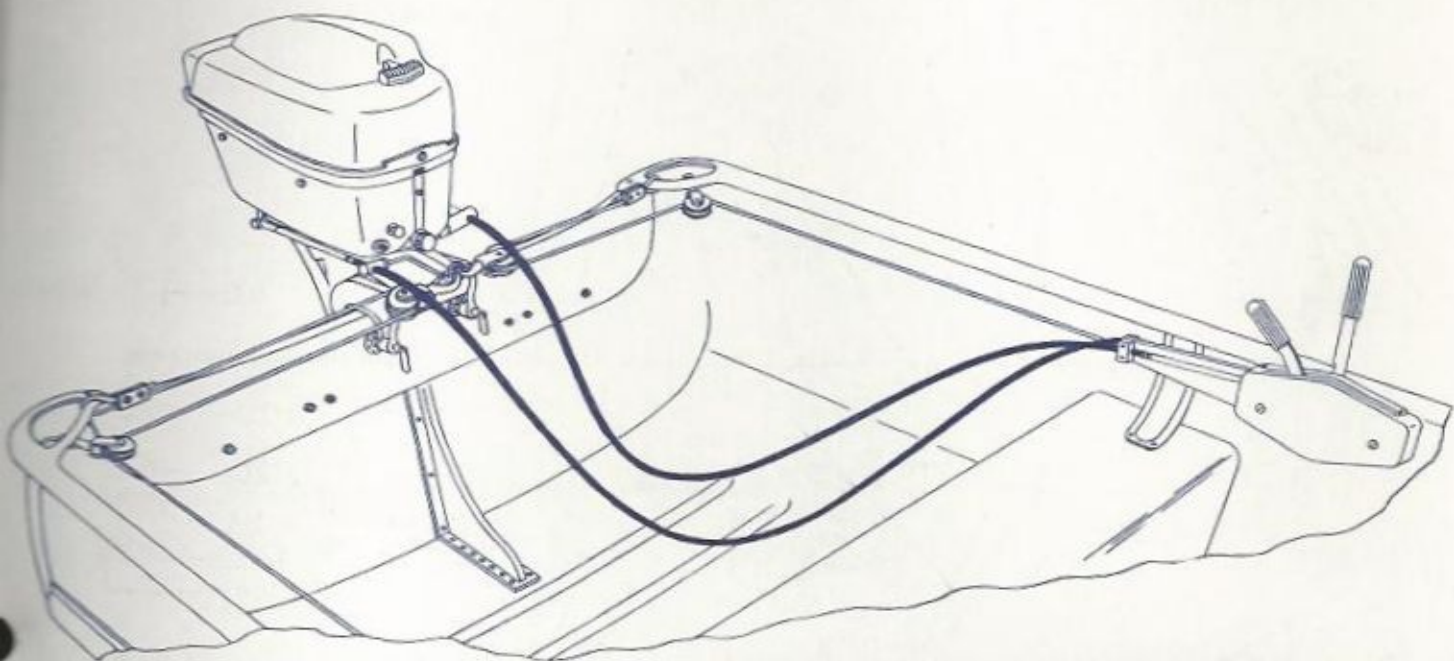
RC6	RC17	1J1708
RC7	RC18	1J2601
RC8	RC19	2LH2605
RC9	RC38	1J2906







# REMOTE CONTROL PARTS LIST



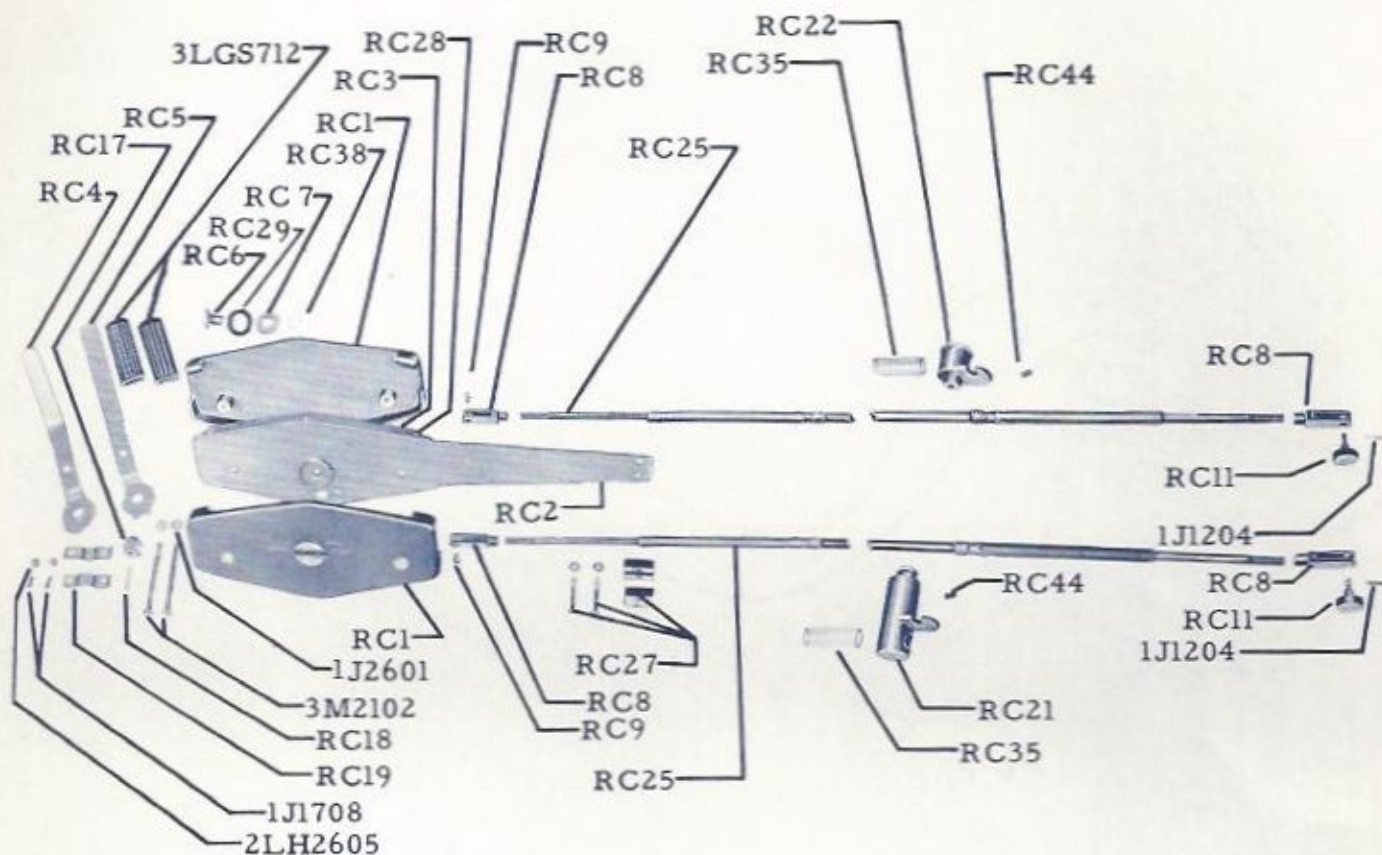
## INSTRUCTIONS

Place and center motor on boat transom. Tighten clamp screws securely. Allowing adequate cable slack, mount Remote Control Housing (RC-1) in desired position by drilling two (2) 9/32" diameter holes through your boat. The control box can be used as a template. On some boats it may be necessary to use a wooden spacer block between boat and control housing to maintain a firm vertical mounting. Pivot the Throttle Cable Anchor (RC-21) into position on the co-pilot bracket and the Shift Cable Anchor (RC-22) into position on the Steering Bar (56F530). Connect cable ends to Shift Arm and Throttle Arm by means of the socket screws (RC-11).

Controls can be checked and adjusted by placing shift lever in neutral position and attempting to turn propeller by hand. The propeller should be free to turn in either direction. Adjustments can be made on either cable by disconnecting and turning control rod sockets (RC-8). This same adjustment can be used to remove slack from cables.

Although speed and shift levers are synchronized to prevent accidental shifting at high speed, always throttle motor down when shifting and do not attempt to shift a fast running motor. Speed control lever must be in shift range. Do not force shift lever but be sure forward gear is fully engaged before accelerating engine.

# REMOTE CONTROL



Part No.	Part Name	No. Req'd	Part No.	Part Name	No. Req'd
RC1	Remote Control Housing	2	RC25	Cable	2
RC2	Spacer Plate	1	RC27	Cable Clamp	1
RC3	Remote Control Instruction Plate	1	RC28	Drive Screw, Instruction Plate	3
RC4	Throttle Lever	1	RC29	Pivot Pin Tension Washer	1
RC5	Shift Lever	1	RC35	Cable Anchor Sleeve	2
RC6	Pivot Pin	1	RC38	Pivot Pin Snap Ring	1
RC7	Pivot Pin Washer	1	RC44	Set Screw, Cable Anchor	2
RC8	Control Rod Socket	4	3LGS712	Lever Handle	2
RC9	Pivot Screw	2	1J1204	Cotter Pin, Socket Screw	2
RC11	Control Rod Socket Screw	2	1J1708	Catch Guide Screw	2
RC17	Shift Lever Catch	1	3M2102	Screw, Housing	2
RC18	Shift Lever Catch Spring	1	1J2601	Nut, Housing Screw	2
RC19	Shift Lever Catch Guide	2	2LH2605	Nut, Catch Guide Screw	2
RC21	Cable Anchor—Throttle	1	1J2906	Lock Washer, Catch Guide Screw	2
RC22	Cable Anchor—Shift	1			

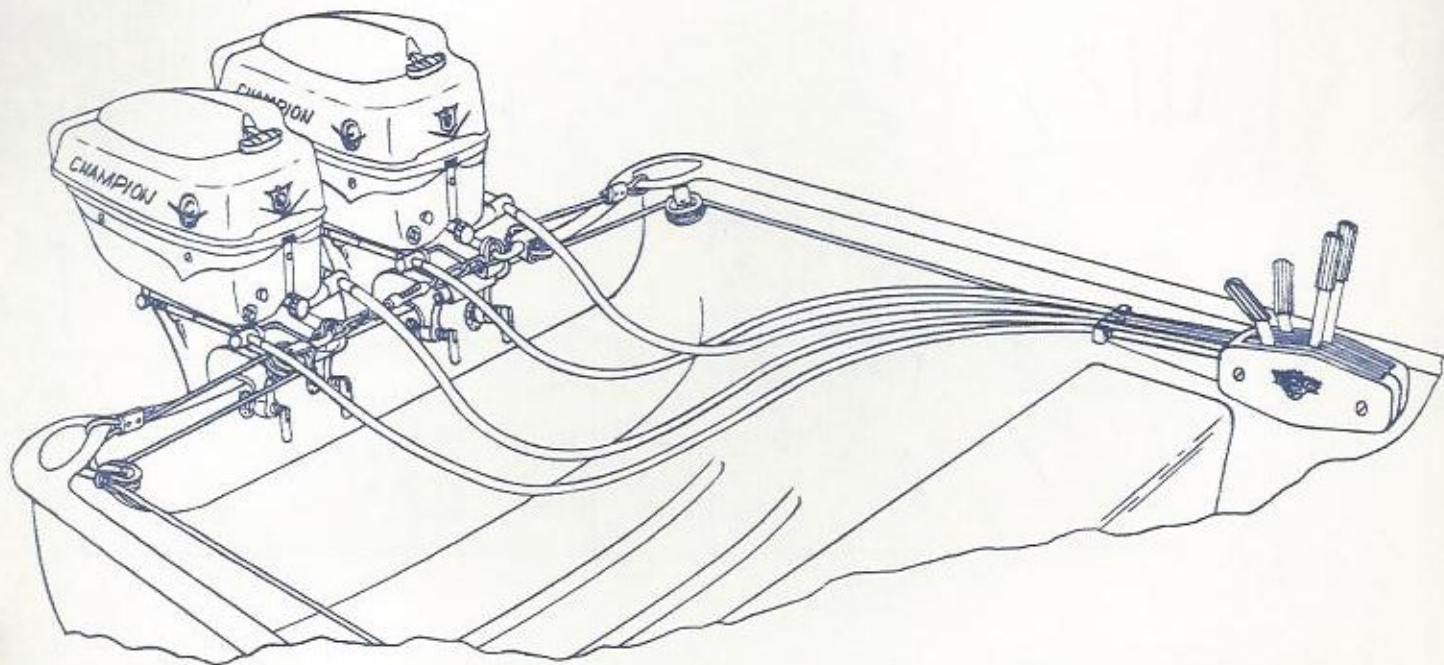
## CHAMPION MOTORS CO.

1325 N. E. Quincy

Minneapolis 13, Minnesota



# TANDEM "33" REMOTE CONTROL



## INSTRUCTIONS

Place both motors on boat transom and space them so as to allow adequate room to turn the engines without interference. Tighten all clamp screws securely. Place Motor Link (RC110) across steering bars and adjust turnbuckle so that engines are parallel to each other. Allowing adequate cable slack, mount Tandem "33" Control Housing (RC1) in desired position by drilling two (2) 9/32" diameter holes through your boat. The control box can be used as a template. On some boats it may be necessary to use a wooden spacer block between boat and control housing to maintain a firm vertical mounting. Pivot the throttle cable anchors (RC21) into position on the co-pilot brackets and the shift cable anchors (RC22) into position on the steering bars (56F530).

The two longer cables must be attached to the engine furthest from the control box. Connect

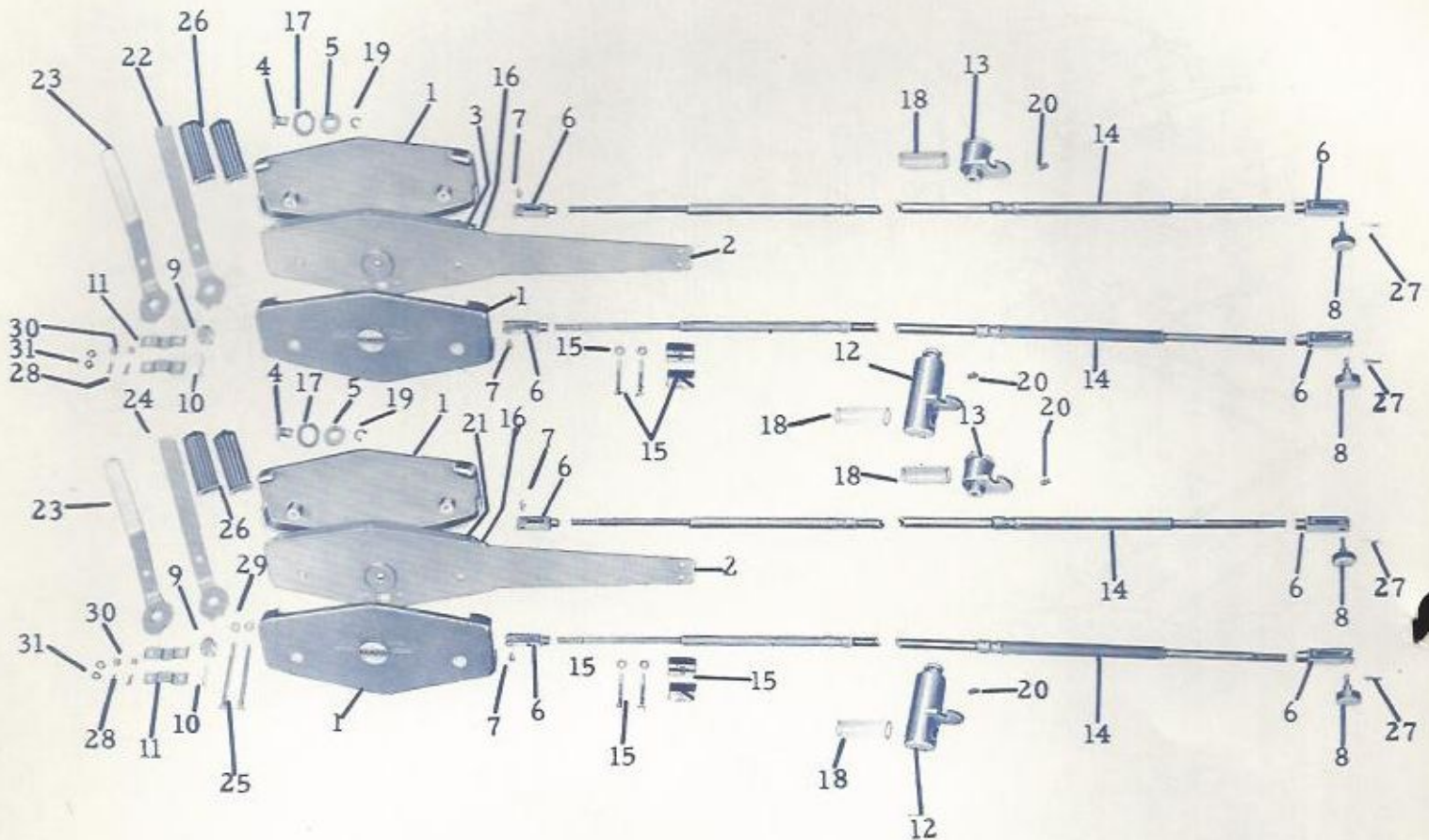
cable ends to Shift Arms and Throttle Arms, by means of the socket screws (RC11). Controls can be checked and adjusted by placing shift levers in neutral position, and attempting to turn propellers by hand. The propellers should be free to turn in either direction. Adjustments can be made on all cables by disconnecting and turning control rod sockets (RC8). This same adjustment can be used to remove slack from cables.

The two throttle controls should be set so the strokes are identical between the two engines for smooth simultaneous operation.

Although speed and shift levers are synchronized to prevent accidental shifting at high speed, always throttle motors down when shifting. Do not attempt to shift fast running motors. Do not force shift levers but be sure forward gear is fully engaged before accelerating engines.



# PARTS LIST



Ref. No.	Part No.	Description	No. Req'd	Ref. No.	Part No.	Description	No. Req'd
1	RC1	Remote Control Housing	4	17	RC29	Pivot Pin Tension Washer	2
2	RC2	Spacer Plate	2	18	RC35	Cable Anchor Sleeve	4
3	RC3	Remote Control Instruction Plate	1	19	RC38	Pivot Pin Snap Ring	2
4	RC6	Pivot Pin	2	20	RC44	Set Screw, Cable Anchor	4
5	RC7	Pivot Pin Washer	2	21	RC103	Remote Control Instruction Plate, R.H.	1
6	RC8	Control Rod Socket	8	22	RC104	Throttle Lever, D.C.	1
7	RC9	Pivot Screw	4	23	RC105	Shift Lever, D.C.	2
8	RC11	Control Rod Socket Screw	4	24	RC106	Throttle Lever, D.C.	1
9	RC17	Shift Lever Catch	2	25	RC107	Screw, Housing	2
10	RC18	Shift Lever Catch Spring	2	26	3LGS712	Lever Handle (2 Red - 2 Black)	4
11	RC19	Shift Lever Catch Guide	4	27	1J1204	Cotter Pin, Socket Screw	4
12	RC21	Cable Anchor—Throttle	2	28	1J1708	Catch Guide Screw	4
13	RC22	Cable Anchor—Shift	2	29	1J2601	Nut, Housing Screw	2
14	RC25	Cable	4	30	2LH2605	Nut, Catch Guide Screw	4
15	RC27	Cable Clamp	2	31	1J2906	Lock Washer, Catch Guide Screw	4
16	RC28	Drive Screw, Instruction Plate	6				

ORDER BY PART NUMBER ONLY



CHAMPION MOTORS COMPANY  
Minneapolis, Minnesota

REMOTE CONTROL  
PARTS AND PRICE LIST

PART NUMBER	DESCRIPTION	PRICE
RC 1	Remote Control Housing	\$ 4.50
RC 2	Spacer Plate	4.50
RC 3	Remote Control Instruction Plate	1.20
RC 4	Throttle Lever	1.75
RC 5	Shift Lever	1.75
RC 6	Pivot Pin	.95
RC 7	Pivot Pin Washer	.40
RC 8	Control Rod Socket	1.85
RC 9	Pivot Screw	.40
RC 11	Control Rod Socket Screw	.95
RC 16	Shift Arm Link	1.30
RC 17	Shift Lever Catch	1.55
RC 18	Shift Lever Catch Spring	.20
RC 19	Shift Lever Catch Guide	.55
RC 21	Cable Anchor, Throttle	4.05
RC 22	Cable Anchor, Shift	3.35
RC 23	Cable Anchor, Screw	.45
RC 24	Control Shift Arm Pivot Screw	.55
RC 25	Control Cable:	
	6 Ft. \$ 9.50	10 Ft. \$15.10
	7-1/2 Ft. 10.00	10-1/2 Ft. 15.50
	8-1/2 Ft. 13.85	12 Ft. 16.55
	9 Ft. 10.95	12-1/2 Ft. 16.95
	14 Ft. 18.15	
RC 27	Cable Clamp	1.75
RC 28	Drive Screw, Instruction Plate	.05
RC 29	Pivot Pin Tension Washer	.40
RC 35	Cable Anchor Sleeve	.20
RC 38	Pivot Pin Snap Ring	.10
RC 40	Shift Arm	1.55
RC 44	Cable Anchor Set Screw	.15
RC 46	Shoulder Screw, Shift Arm	.50
RC 60	Motor Throttle Arm	1.55
RC 103	Remote Control Instruction Plate, R.H.	1.85
RC 104	Throttle Control (Dual Control - Replaces RC 4)	1.75
RC 105	Shift Lever (Dual Control - Replaces RC 5)	1.75
RC 106	Throttle Lever (Dual Control)	1.75
RC 107	Housing Screw (Dual Control)	.15
6MM514	Stator Arm Pin	.20
56F530	Steering Bar	4.40
3LGS712	Lever Handle	.30
1J1204	Cotter Pin, Socket Screw	.03
6MM1233	Hair Pin, Stator Control Linkage	.03
1J1702	Screw, Steering Bar	.03
1J1708	Catch Guide Screw	.03
3M2102	Housing Screw	.08
1J2601	Housing Screw Nut	.03
2LH2605	Catch Guide Screw Nut	.05

Revised - Effective April 1st, 1959. All Prices F.O.B. Factory and Subject To Change Without Notice.



Featherlite "15" Sync-Control (Cont.) -2-

PART NUMBER	DESCRIPTION	PRICE
6MM517	Control Rod Linkage Pin	\$ .40
6MM519	Control Rod Link	.35
6MM520	Control Rod Assembly	1.65
6MM523	Control Rod Bracket	.85
3LGS712	Lever Handle	.30
1J1204	Cotter Pin, Socket Screw	.03
6MM1233	Hair Pin, Stator Control Linkage	.03
6MM1235	Snap Ring, Stator Arm Pin	.10
3M1237	Snap Ring, Control Rod	.12
1J1708	Catch Guide Screw	.03
4K1713	Screw, Steering Handle Cap	.03
56Q1717	Manifold Screw, Long	.07
3M2102	Housing Screw	.08
1J2601	Housing Screw Nut	.03
2LH2605	Catch Guide Screw Nut	.05
6M2607	Shift Arm Nut	.05
2K2703	Control Rod Nut	.10
1J2906	Catch Guide Screw Lock Washer	.08
1J2907	Shift Arm Lock Washer	.03

1954 Voyager-Majestic-Sea Flyer Featherlite "15" Models  
1955-1956 Voyager-Majestic Featherlite "15" Models

SYNC-CONTROL ASSEMBLY - SINGLE ENGINE

4-1/2 Ft. & 6 Ft. - Standard Short	\$41.50
6 Ft. & 7-1/2 Ft. - Special Order	44.50
8-1/2 Ft. & 10 Ft. - Standard Long	57.50
10-1/2 Ft. & 12 Ft. - Special Order	62.30
12-1/2 Ft. & 14 Ft. - Special Order	66.75

SYNC-CONTROL - DUAL ENGINE HOOKUP

4-1/2 Ft. & 6 Ft. - 6 Ft. & 7-1/2 Ft. - Standard Short	\$ 86.00
6 Ft. & 7-1/2 Ft. - 7-1/2 Ft. & 9 Ft. - Special Order	92.00
8-1/2 Ft. & 10 Ft. - 10-1/2 Ft. & 12 Ft. - Standard Long	119.90
10-1/2 Ft. & 12 Ft. - 12-1/2 Ft. & 14 Ft. - Special Order	129.05

SPECIAL NOTICE

Be sure to furnish Model and Serial Numbers  
 when ordering Controls or Control Parts



PART NUMBER	DESCRIPTION	PRICE
2K2703	Control Rod Nut	\$ .10
1J2900	Steering Bar Lock Washer	.03
1J2906	Catch Guide Screw Lock Washer	.08

REMOTE CONTROL ASSEMBLIES

For

- \*1954 Champion Featherweight "15"
- 1955 Champion Blue Streak 16-1/2 H.P.
- \*\*1956 Champion Pacemaker 16-1/2 H.P.
- \*\*1957 Champion Sweet "16" 16-1/2 H.P.

6	Ft.	(2 Req'd.)	- Standard Short	\$40.00
7-1/2	Ft.	(2 Req'd.)	- Special Order	43.00
8-1/2	Ft.	(2 Req'd.)	- Special Order	52.00
10	Ft.	(2 Req'd.)	- Standard Long	56.00
12	Ft.	(2 Req'd.)	- Special Order	60.40
14	Ft.	(2 Req'd.)	- Special Order	64.60

NOTES

Use Tandem "33" Remote Control Assemblies for dual installation of above models.

\* Additional parts are required for 1954 Models. Add \$16.00 to each Single Remote Control Assembly and \$32.00 for each Tandem "33" Control when ordering for 1954 Models.

\*\* Single Remote Control Assemblies for the Model 6N-MS ONLY are \$6.25 less than the above stated prices on the Single Controls.

TANDEM "33" REMOTE CONTROL ASSEMBLIES

6	Ft.	(2 Req'd.)	&	7-1/2	Ft.	(2 Req'd.)	- Standard Short	\$ 83.50
7-1/2	Ft.	(2 Req'd.)	&	9	Ft.	(2 Req'd.)	- Special Order	89.50
8-1/2	Ft.	(2 Req'd.)	&	10	Ft.	(2 Req'd.)	- Special Order	108.80
10-1/2	Ft.	(2 Req'd.)	&	12	Ft.	(2 Req'd.)	- Standard Long	117.40
12-1/2	Ft.	(2 Req'd.)	&	14	Ft.	(2 Req'd.)	- Special Order	126.30
14	Ft.	(2 Req'd.)	&	15-1/2	Ft.	(2 Req'd.)	- Special Order	132.30

SPECIAL NOTICE

Be sure to furnish Model and Serial Numbers when ordering Remote Controls or Parts.



Remote Controls (Cont.)

ADDITIONAL PARTS NEEDED TO ADAPT REMOTE CONTROLS  
TO VARIOUS CHAMPION MODEL MOTORS

GROUP "A"

RC 16	RC 60	6MM513	56F530
RC 23 (2)	RC 65	6MM514 (2)	6MM710
RC 24	6MM108	6MM515	6MM1233 (5)
RC 30	6MM110	6MM517	1J1702 (2)
RC 40	6MM500	6MM519	56Q1717
RC 46	6MM507	6MM520	2K2703
RC 47	6MM510	6MM523	1J2900 (2)

GROUP "B"

RC 16	RC 40	6MM514	1J1702 (2)
RC 23 (2)	RC 46	56F530	2K2703
RC 24	RC 60	6MM1233 (2)	1J2900 (2)

GROUP "C"

RC 16	RC 40	6MM514	1J1702 (2)
RC 23 (2)	RC 46	56F530	2K2703
RC 24	RC 60	6MM1233 (2)	1J2900 (2)

1954 - MODEL 6M-GS - CHAMPION

Requires Group "A" plus Instructions For Installing 1955 Remote Control Parts on the 1954 6M-GS Model Motor.

1955 - MODEL 6MM-GS - CHAMPION

Requires Group "B" plus Instructions For Attaching Remote Controls on the 1955 6MM-GS Model Motor.

1955 - MODEL 6MS-GS - CHAMPION

Requires Group "B" and Midship Control Parts List only.

1956 & 1957 - MODEL 6N-D - CHAMPION

Requires Group "C" plus Instructions For Attaching Remote Controls on the 1956 6N-D Model Motor.

1956 & 1957 - MODEL 6N-MS - CHAMPION

Requires Remote Control Parts List only.



OUTBOARD MOTOR BRANDS, INC.  
 Minneapolis, Minnesota

FEATHERLITE "15" SYNC-CONTROL  
PARTS AND PRICE LIST

PART NUMBER	DESCRIPTION	PRICE																				
RC 1	Remote Control Housing	\$ 4.50																				
RC 2	Spacer Plate	4.50																				
RC 3	Remote Control Instruction Plate	1.20																				
RC 4	Throttle Lever	1.75																				
RC 5	Shift Lever	1.75																				
RC 6	Pivot Pin	.95																				
RC 7	Pivot Pin Washer	.40																				
RC 8	Control Rod Socket	1.65																				
RC 9	Pivot Screw	.40																				
RC 10	Shift Arm	1.65																				
RC 11	Control Rod Socket Screw	.95																				
RC 12	Steering Bar	1.50																				
RC 13	Steering Bar Clamp	1.55																				
RC 17	Shift Lever Catch	1.55																				
RC 18	Shift Lever Catch Spring	.20																				
RC 19	Shift Lever Catch Guide	.55																				
RC 25	Control Cable:																					
	<table border="1"> <tbody> <tr> <td>4-1/2 Ft.</td> <td>\$ 8.75</td> <td>10 Ft.</td> <td>\$15.10</td> </tr> <tr> <td>6 Ft.</td> <td>9.50</td> <td>10-1/2 Ft.</td> <td>15.50</td> </tr> <tr> <td>7-1/2 Ft.</td> <td>10.00</td> <td>12 Ft.</td> <td>16.55</td> </tr> <tr> <td>8-1/2 Ft.</td> <td>13.85</td> <td>12-1/2 Ft.</td> <td>16.95</td> </tr> <tr> <td>9 Ft.</td> <td>10.95</td> <td>14</td> <td>18.15</td> </tr> </tbody> </table>	4-1/2 Ft.	\$ 8.75	10 Ft.	\$15.10	6 Ft.	9.50	10-1/2 Ft.	15.50	7-1/2 Ft.	10.00	12 Ft.	16.55	8-1/2 Ft.	13.85	12-1/2 Ft.	16.95	9 Ft.	10.95	14	18.15	
4-1/2 Ft.	\$ 8.75	10 Ft.	\$15.10																			
6 Ft.	9.50	10-1/2 Ft.	15.50																			
7-1/2 Ft.	10.00	12 Ft.	16.55																			
8-1/2 Ft.	13.85	12-1/2 Ft.	16.95																			
9 Ft.	10.95	14	18.15																			
RC 26	Transom Bracket	2.50																				
RC 27	Cable Clamp	1.75																				
RC 28	Drive Screw, Instruction Plate	.05																				
RC 29	Pivot Pin Tension Washer	.40																				
RC 30	Stator Linkage Mounting Plate Assembly	2.25																				
RC 31	Wing Nut	.15																				
RC 32	Steering Bar Bolt	.20																				
RC 33	Transom Bracket Screw	.05																				
RC 35	Cable Anchor Sleeve	.20																				
RC 36	Cable Anchor	1.50																				
RC 37	Cable Anchor Bracket	.95																				
RC 38	Pivot Pin Snap Ring	.10																				
RC 44	Cable Anchor Set Screw	.15																				
RC 47	Stator Arm Pin	.55																				
RC 50	Motor Throttle Arm	1.40																				
RC 103	Remote Control Instruction Plate, R.H. (Dual)	1.85																				
RC 104	Throttle Control (Dual Control - Replaces RC 4)	1.75																				
RC 105	Shift Lever (Dual Control - Replaces RC 5)	1.75																				
RC 106	Throttle Lever (Dual Control)	1.75																				
RC 107	Housing Screw (Dual Control)	.15																				
1J228	Control Rod Washer	.03																				
6MM500	Stator Arm Assembly	2.15																				
6MM513	Magneto, Clamp Link Arm	.85																				
6MM514	Stator Arm Pin	.20																				
6MM515	Control Cable Swivel Washer	.15																				

Revised - Effective April 1st, 1959. All Prices F.O.B. Factory  
 and Subject To Change Without Notice.