

198,004

BOAT

Thomas L. Faul, Skaneateles, N.Y., assignor to Lone Star
Boat Company, Plano, Tex., a corporation of Texas

Filed July 22, 1963, Ser. No. 75,917

Term of patent 14 years

(Cl. D71—1)

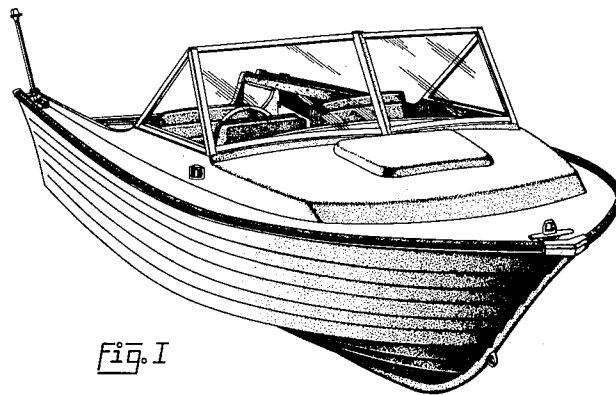


Fig. I

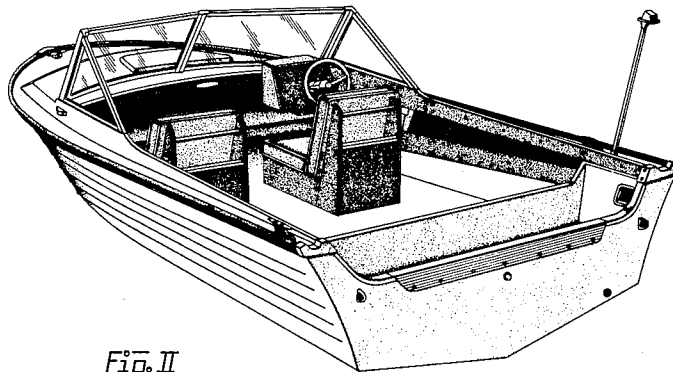


Fig. II

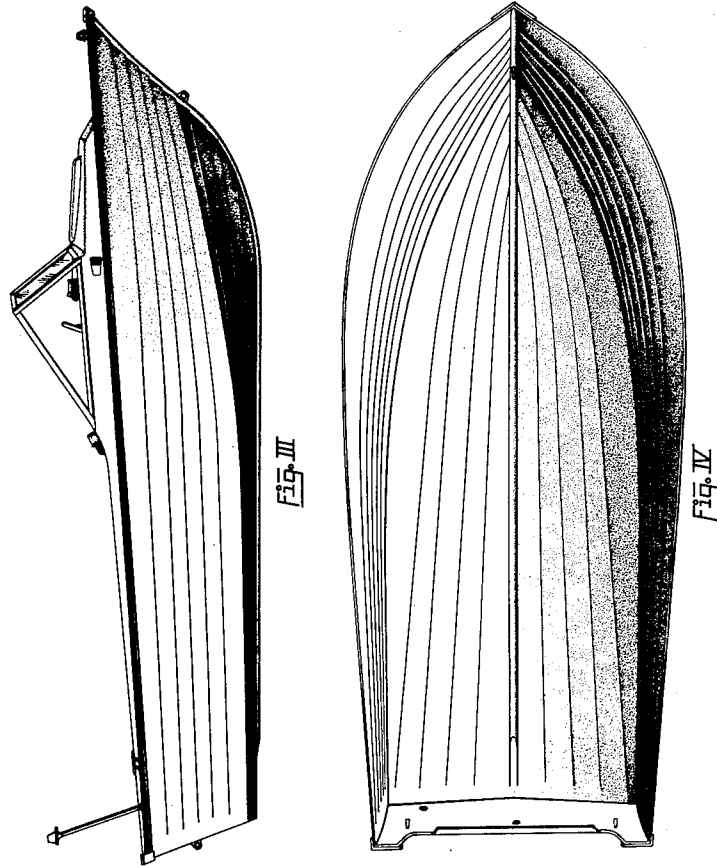


FIG. I is a front perspective view of a boat showing my new design;

FIG. II is a rear perspective view thereof;

FIG. III is a side elevational view thereof, both sides of said boat being identical; and

FIG. IV is a bottom plan view of the hull of the boat.

I claim:

The ornamental design for a boat, substantially as shown.

References Cited in the file of this patent

UNITED STATES PATENTS

D. 187,355 Raschke ----- Mar. 1, 1960

OTHER REFERENCES

Lone Star Brochure, received Feb. 18, 1959, page 8, "Bermuda" boat.